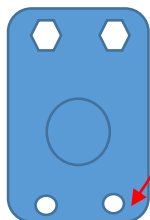
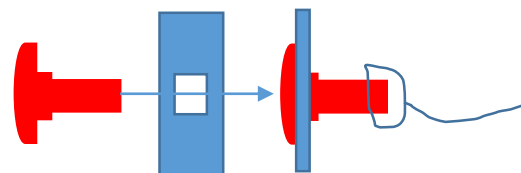
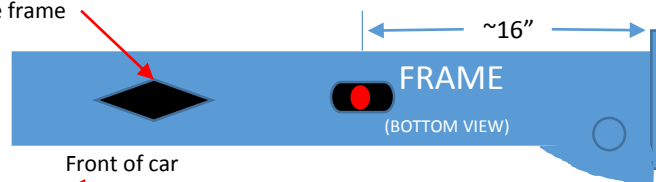


# 1991 – 1996 GM Wagon Hitch

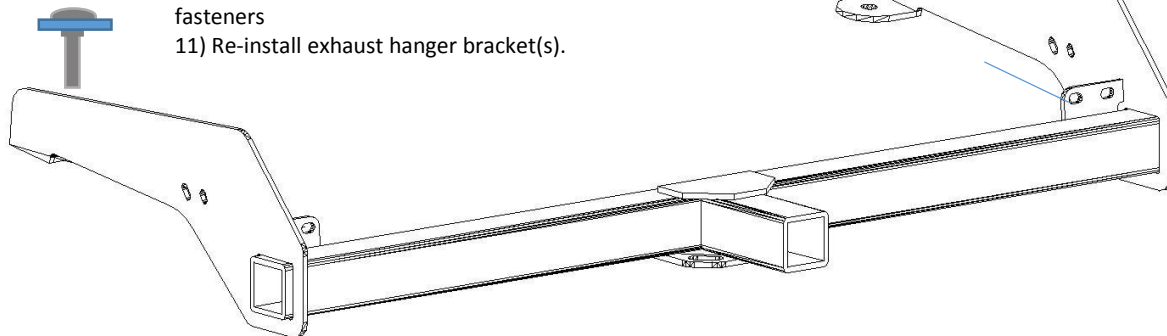
- 1) Remove all 4 lower bumper shock bolts, enlarge both holes with 13/32 drill.
- 2) Pre-assemble carriage bolts and bolt plates
- 3) Tie string and fish wire to end of bolt. A wire hanger works well in lieu of fish wire



- 4) On the underside of the frame, fish carriage bolt and carriage bolt plates through frame and into hole. The large hole will be evident from under the vehicle. The bolts will protrude through the bottom of the frame



- 5) Remove exhaust hanger bolts from right side of frame (91-96) and left side for 94-96 wagons
- 6) Carefully raise hitch up to frame, and pre-assemble (2) M10 bolts (1 per side) to the trailer hitch and into the bumper shock mounts.
- 7) Finger start flange nuts to bolts.
- 8) Raise front of hitch to engage carriage bolts, install washer and finger start the flange nuts.
- 9) Install remaining 2 M10 fasteners
- 10) Align hitch as necessary and secure all fasteners
- 11) Re-install exhaust hanger bracket(s).



- Kit Contents
- 1 – Trailer hitch assembly
  - 4 – M10 x 1.5mm Bolts
  - 4 – M10 flange nuts
  - 2 – 1/2" Carriage bolts
  - 2- 1/2" washers
  - 2- 1/2" Flange nuts
  - 2- Carriage bolt plates